

MAX



**MAXIMUS™**  
Rheem® Maximus™ Super High Efficiency  
Gas Water Heater with LeakSense™



# Maximum Efficiency

## Powerful Performance

In Latin, the word “Maximus” means “the greatest,” and the Rheem® Maximus™ Super High Efficiency Gas Water Heater lives up to its name. It was designed by plumbers and perfected by Rheem engineering to give homeowners continuous hot water, MaxMode™ and smart features—all from a water heater that installs as easily as a standard product.

Not only did we make it easy to install and service, but we also made it powerful, smart and dependable. So when you're looking for a gas water heater for your homeowners, why look for the best when you can install the greatest?

### SMART CONTROL

#### Built-in EcoNet® Wi-Fi Technology

Allow your homeowners to control and optimize their water heater experience from their phone<sup>3</sup>

### SMART PROTECTION

#### LeakSense™ Leak Detection System

Detects any water leak—large or small, internal or external<sup>6</sup>



### MAXIMUM EFFICIENCY

#### Up to 0.90 UEF

Reduces energy usage and carbon footprint by up to 36%<sup>1</sup> while still heating water 2X faster than a standard gas tank<sup>2</sup>

ENERGY STAR® certified

### POWERFUL PERFORMANCE

#### Fast Recovery

Provides up to 2.5X the hot water of a standard 50-gallon water heater<sup>4</sup>, enough for up to seven simultaneous showers<sup>5</sup>



*"Tank-type water heaters . . . best in class first hour delivery."*

**Steve,**  
Plumber

## Easy to Sell. Easy to Install. Easy to Service.

Rheem® Maximus™ is what you've been waiting for. Now you can give more homeowners the continuous hot water they want without the costs typically required, from a tank that installs no different than the many you've installed before. Because Maximus was designed by plumbers and perfected by Rheem engineering, it's a win-win solution that makes you come out looking like a hero.



### Advanced Diagnostics

View detailed diagnostics, alerts and alarm codes while at the water heater to expedite service.



### Start Up Verification

Be 100% sure your customer is up and running before you leave the job to prevent callbacks.



### Leak Sensor Channel

Leak sensor replacement is easy by opening the thermostat panel and snaking the new leak sensor down the channel—360° protection, all from the front of the tank.



### Perfect for Replacement

Easy replacement with the same dimensions as a standard gas water heater.



### 0" Clearance on Sides

Fits in a closet and is fully serviceable from the front.



### Contact Info in the App

If anything ever goes wrong, your contact info in the EcoNet® App gives homeowners an easy way to reach and share codes with you for repeat business and simpler service calls.

# Maximum Efficiency

As one of the most efficient water heaters in its class, Maximus™ is ENERGY STAR® certified, helping save with energy costs.

## Earth-Friendly Design

Maximus was designed with a powerful, efficient burner that helps it outperform, so there's no need to choose between sustainability goals and enjoying hot water. It helps homeowners reduce their carbon footprint and energy use by up to 36%<sup>1</sup> and reduce their NOx emissions up to 75%.<sup>8</sup>

## Save Water with Recirculation

Pair with a recirculation pump (sold separately) to save over 3,000 gallons of water from being wasted down the drain each year.<sup>8</sup>

## Space Heating Ready

Side connections built-in so it can be used with a hydronic air handler for space heating—no need for a second tank or a furnace.



*This product meets a stringent set of our company's internally defined sustainability standards*



**This Product Demonstrates a BRAND BEST Level of CO<sub>2</sub> Reduction\***

*\*As compared to our baseline product*



# Powerful Performance

With an efficient yet powerful burner, a 50-gallon Maximus™ produces up to 2.5X the hot water of a standard tank. So homeowners will never worry about running out of hot water while they do the dishes, wash the laundry or even run continuous back-to-back showers.

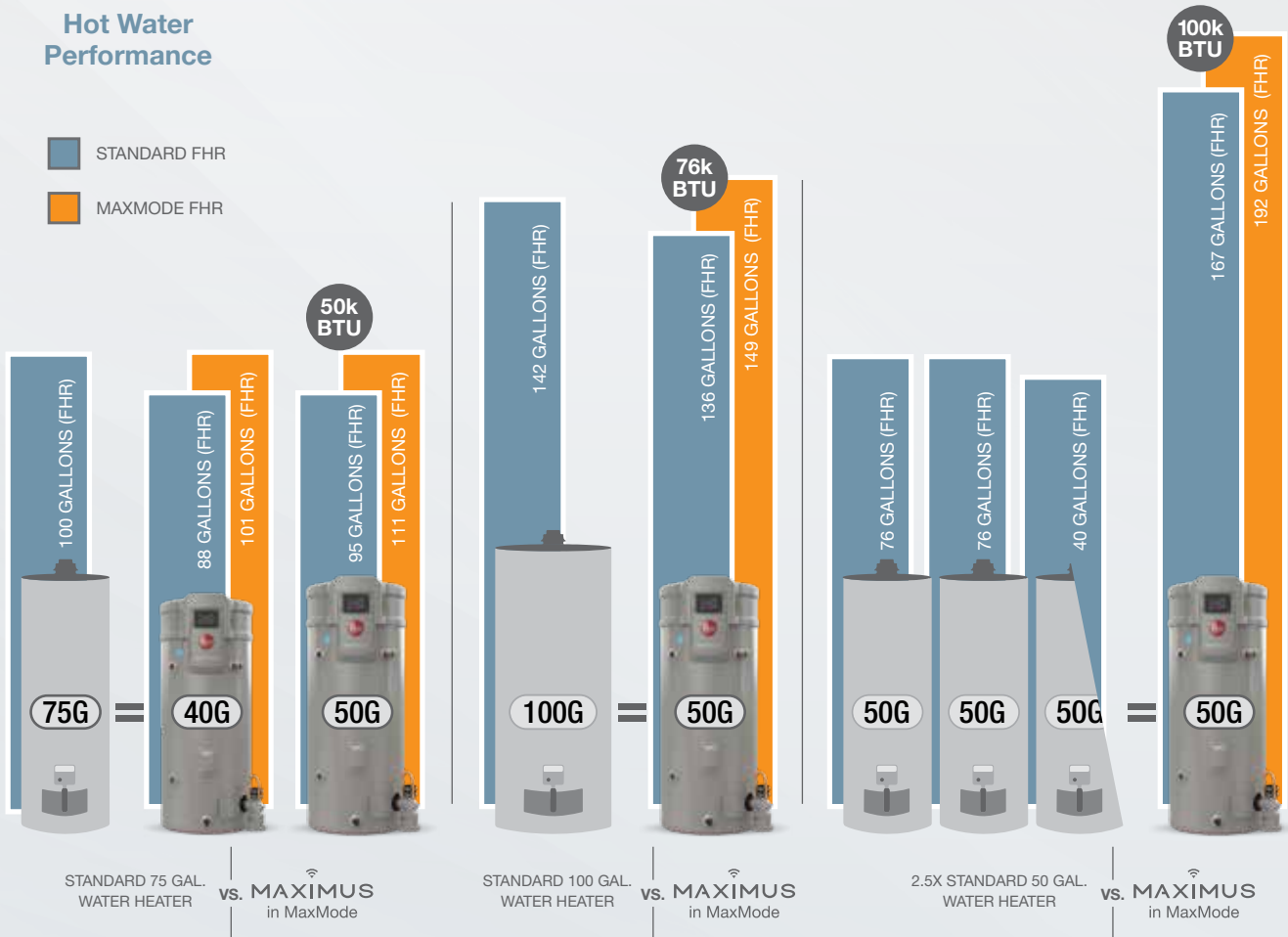
## MaxMode™

Gives the water heater the boost it needs to keep up when demand is high, producing up to 15% more hot water.<sup>9</sup> So even with houseguests, homeowners are covered.



### Hot Water Performance

- STANDARD FHR
- MAXMODE FHR



### First Hour Rating (FHR):

Gallons of hot water produced per hour, starting with a full tank.

### Fast Recovery

Replenishes hot water up to 2X faster than a standard gas tank to provide continuous hot water, up to 3.8 Gallons Per Minute<sup>10</sup>, so you can take as many showers back-to-back as you need. With the tank capacity added to the fast recovery, Maximus is capable of providing hot water for simultaneous showers.

# Smart Control

## Wi-Fi Monitoring

With integrated Wi-Fi and the EcoNet® App, homeowners can enjoy complete control—like adjusting water temperature and setting Vacation / Away or MaxMode™—and know when their water heater needs service. It's all possible with the Rheem® Maximus™ Water Heater.

## Hot Water Availability Indicator

This lets homeowners know how much hot water is available before jumping into the shower.

## Scheduling

Homeowners can program the water heater to match household needs throughout the day.

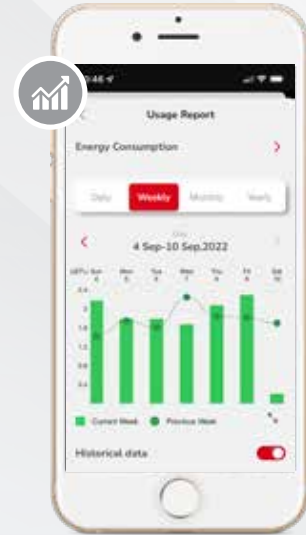
## Mobile Alerts

Maximus notifies the homeowner immediately of leaks and service needs through the EcoNet App<sup>3</sup>.



## Total Control

The EcoNet App allows homeowners to check hot water availability, adjust the temperature or turn on a recirculation pump accessory.



## Energy Usage Tracking

The homeowner can view weekly, monthly and yearly energy usage reports to better manage consumption<sup>3</sup>.

**NOTE:** EcoNet App subject to change without notice.

# Smart Protection

## Leak Detection

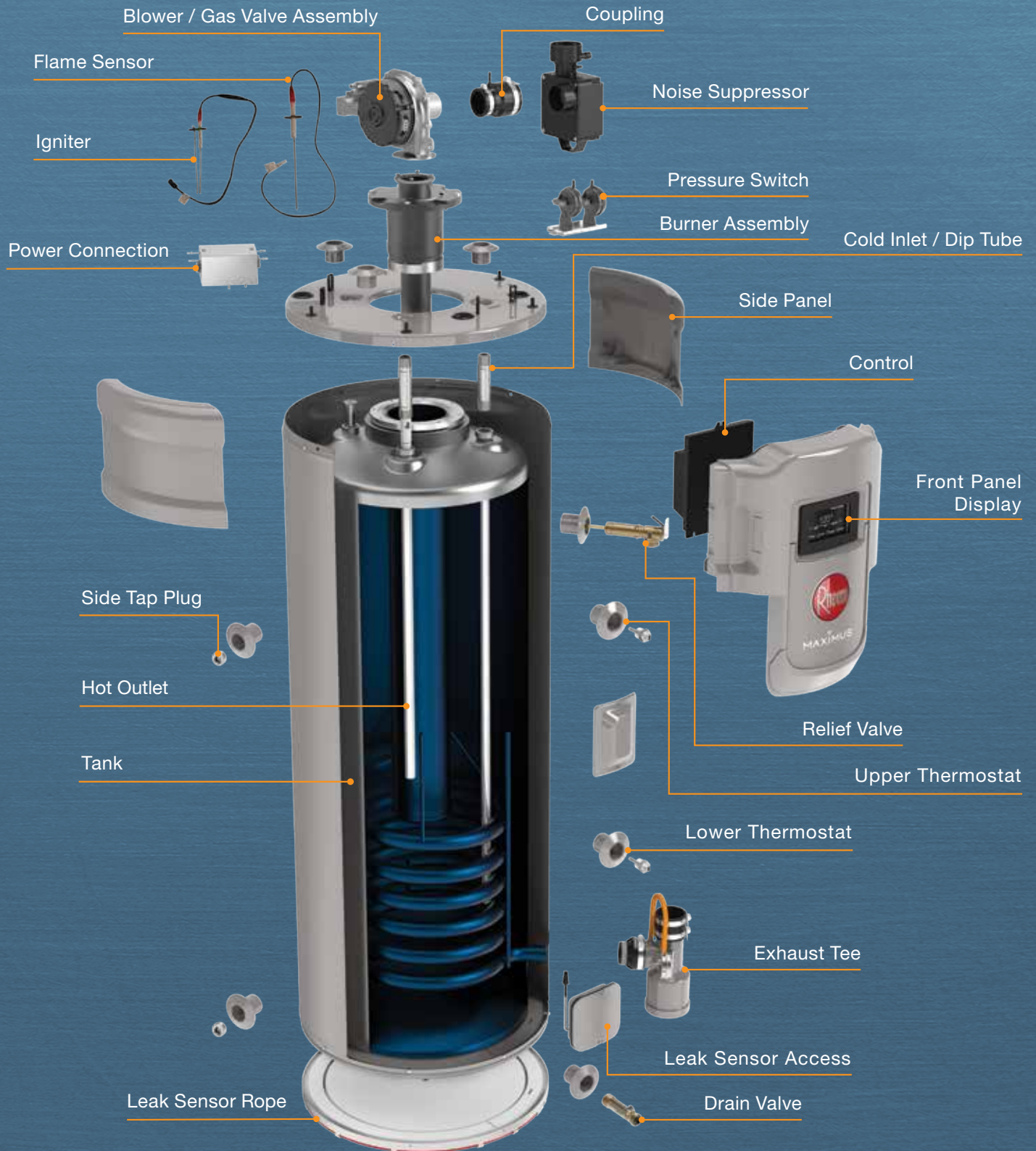
Maximus was designed with homeowner comfort and safety in mind. It features LeakSense™ leak detection system that detects any leak—large or small, internal or external—in less than 15 seconds<sup>6</sup> and alerts the homeowner through the EcoNet App and on-unit display.

## Add Leak Prevention

When you add a LeakGuard™ Auto Water Shut-off Valve Kit (Part SP21172), Maximus can stop leaks before they become a problem. LeakGuard protects your homeowners' belongings by limiting leaks to no more than 20 ounces<sup>11</sup>.



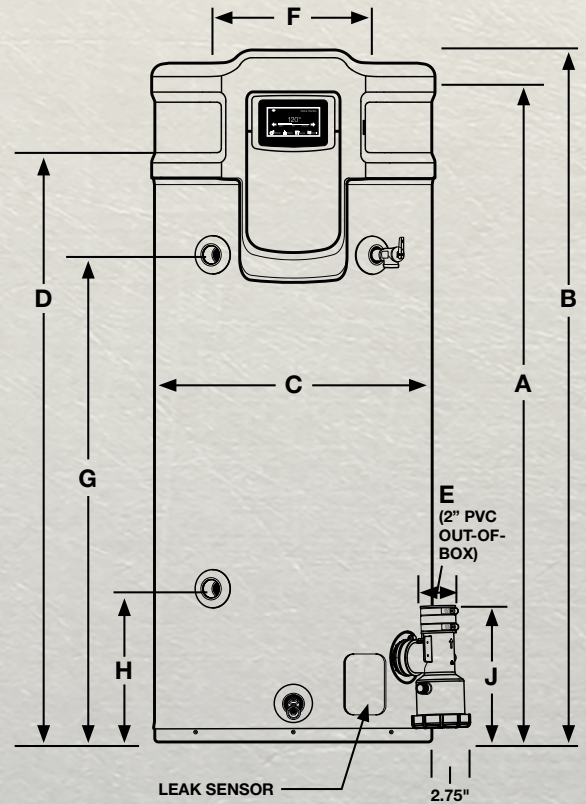
# Built to be better for the Homeowner—and You



# Maximus™ Specifications

DESCRIPTION				FEATURES								ROUGHING IN DIMENSIONS (SHOWN IN INCHES)										ENERGY INFO.	
TYPE	NOMINAL GALLON CAP.	RATED GALLON CAP.	MODEL NUMBER	GAS INPUT IN THOUS. BTU/H		RECOVERY IN G.P.H. 90° F RISE		FIRST HR. RATING (GALLONS)		MAXMODE™ DELIVERY (GALLONS)		HEIGHT TO INTAKE A	OVERALL UNIT HEIGHT B	DIAM. C	HT. TO GAS CONN. D	VENT SIZE E	WATER CONN. CENTER F	HT. TO SIDE TAP HOT G	HT. TO SIDE TAP COLD H	HT. TO EXHAUST J	WATER CONN. SIZE	SHIP WT. (LBS)	UNIFORM ENERGY FACTOR (UEF)
				NAT.	LP	NAT.	LP	NAT.	LP	NAT.	LP												
Tall	40	40	PROP G40-50U CN HE EC3	50	-	64	-	88	-	101	-	54-1/4	54-1/2	21-3/4	50-1/4	2", 3", 4", 2" or 3" Flex	8	38	12	10	3/4	221	0.90
Tall	40	40	PROP G40-50P CN HE EC3 (H)	-	50	-	64	-	88	-	101	54-1/4	54-1/2	21-3/4	50-1/4	2", 3", 4", 2" or 3" Flex	8	38	12	10	3/4	221	0.90
Tall	50	50	PROP G50-50U CN HE EC3	50	-	64	-	95	-	109	-	64-1/4	65-1/2	21-3/4	61	2", 3", 4", 2" or 3" Flex	8	48	12	10	3/4	247	0.88
Tall	50	50	PROP G50-50P CN HE EC3 (H)	-	50	-	64	-	95	-	109	64-1/4	65-1/2	21-3/4	61	2", 3", 4", 2" or 3" Flex	8	48	12	10	3/4	247	0.88
Tall	50	50	PROP G50-76U CN HE EC3	76	-	97	-	136	-	156	-	64-1/4	65-1/2	21-3/4	61	2", 3", 4", 2" or 3" Flex	8	48	12	10	3/4	256	0.89
Tall	50	50	PROP G50-76P CN HE EC3	-	76	-	97	-	136	-	156	64-1/4	65-1/2	21-3/4	61	2", 3", 4", 2" or 3" Flex	8	48	12	10	3/4	256	0.89
Tall	50	50	PROP G50-100U CN HE EC3	100	-	128	-	167	-	192	-	64-1/4	65-1/2	21-3/4	61	2", 3", 4", 2" or 3" Flex	8	48	12	10	3/4	256	0.89
Tall	50	50	PROP G50-100P CN HE EC3	-	100	-	128	-	167	-	192	64-1/4	65-1/2	21-3/4	61	2", 3", 4", 2" or 3" Flex	8	48	12	10	3/4	256	0.89

Uniform Energy Factor and rated gallon capacity based on Department of Energy (DOE) requirements. All Maximus Models (Ending with EC3) have integrated Wi-Fi control board. (H) denotes high altitude LP model required for 2000-7800 feet.



## CONTACT US

**Customer Service, Warranty and Parts:** 800-268-6966

**Technical Service:** 800.HEATER3 (800.432.8373)

**EcoNet® Support:** 800.255.2388

**Plumber Support Group:** 866.339.2388

## LEARN MORE

Rheem.ca/Maximus

<sup>1</sup>Comparison of a 40 and 50-gallon Maximus™ to a standard atmospheric gas tank of like capacity with minimum efficiency. <sup>2</sup>Recovery comparison of Maximus to atmospheric and PV/conventional vent gas tanks. <sup>3</sup>Wi-Fi broadband connection and EcoNet App required; connection between water heater and app are dependent on external factors beyond Rheem's control. <sup>4</sup>Comparison of the First Hour Rating of a 50-gallon Rheem® Maximus to first hour rating of a standard 50-gallon gas water heater. <sup>5</sup>Based on 2 GPM shower flow of hot water at 70°F inlet water temperature and 140° F tank water set point temperature. <sup>6</sup>Water leaks from the heater only, as tested across scenarios including a minimum of 5.5mL/hr volume leak rate, using most common installation scenarios. Time starts when leak begins and ends when sensor alarm is triggered. <sup>7</sup>Comparison of Maximus to a standard atmospheric gas water heater, not to exceed 75,000 BTUs. <sup>8</sup>Applies to models with a recirculation pump installed only. Recirculation pump sold separately. Claim based on recirculation pump that runs 24/7 with no controls or smart features, for a period of one year. <sup>9</sup>Comparison of Maximus' first hour rating in normal mode to Maximus' first hour rating in MaxMode™. <sup>10</sup>GPM varies by model and inlet water and tank water set point temperature. <sup>11</sup>Applies to models with auto shut-off valve installed only. Testing under a vacuum lock using 50-gallon tank, no expansion tank, average tank pressure of 40 psi, assuming no additional faucets are opened.

\*Apple and the Apple logo are trademarks of Apple Inc., registered in the U.S. and other countries. App Store is a service mark of Apple Inc., registered in the U.S. and other countries. Google Play and the Google Play logo are trademarks of Google LLC.